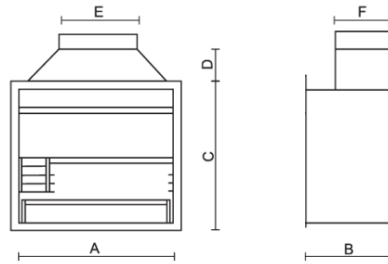


BASIC (Built-in Braai)



MODEL	A	B	C	D	E	F
700	700	450	700	170	440	240
1000	1000	540	860	275	500	350
1200	1200	540	860	275	500	350
1500	1500	640	937	390	600	400

Consisting of the following: outer box with light fitting; ember tray; ash pan, galvanised grid; potjie hook and poker tool. The area underneath the ember tray can be used as a warming drawer/oven.

DEVELOPERS (Built-in Braai)

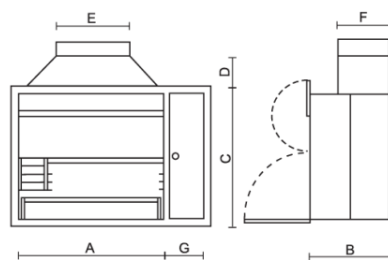


DEVELOPERS BRAAIS

UNIT	Height	Width	Depth	Chimney
700mm	700	700	450	300x200
1000mm	750	1000	520	400x200
OCTO	1700	740	320	200x300

These units are absolute space savers and without compromising on the quality or design, Heatwave has managed to offer this range at an even more affordable price, making it the ideal option for development or weekend and holiday houses.

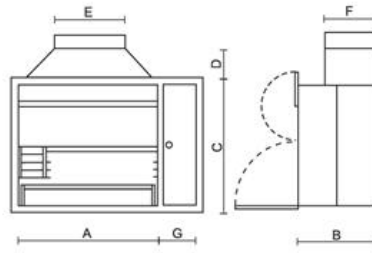
STAINLESS STEEL SUPER SPIT DE LUX (Built-in Braai)



MODEL	A	B	C	D	E	F	G
1200	1200	540	860	275	500	350	300
1500	1500	640	930	390	600	400	300

Now you can have any built-in braai with a stainless steel face and doors. This does not only add to the value and durability of the product, but is also inline with current trends. Full stainless steel braais are also available on request and is a popular choice for a coastal home.

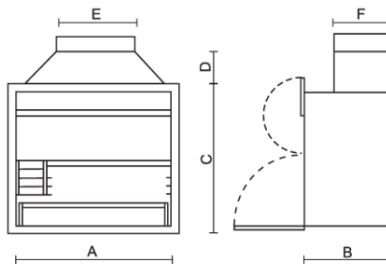
SUPER COMBO DE LUX (Built-in Braai)



MODEL	A	B	C	D	E	F
1200	1200	540	860	275	500	350
1500	1500	640	937	390	600	400

The Super Combo De Lux is similar to the Super De Lux Built-in braai, but in addition, a 3 burner gas grill is fitted which enables you to conveniently use gas on one side of the braai. It is also supplied with low-pressure bull nose regulator and pipe.

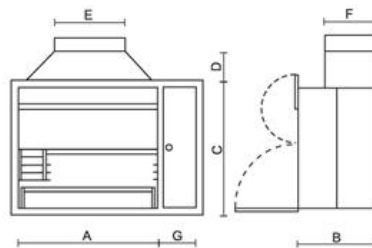
SUPER DE LUX (Built-in Braai)



MODEL	A	B	C	D	E	F
700	700	450	700	170	440	240
1000	1000	540	860	275	500	350
1200	1200	540	860	275	500	350
1500	1500	640	937	390	600	400

The Super De Lux is equipped with an ember maker for the continuous supply of embers, ember tray, ash pan, oven pan, 3 galvanised grids, potjie hook and poker tool, a bottom door to use either as a utility table or a cover for a neat finish and an upper door with a chrome knob. The 700mm De Lux is supplied without an ember-maker.

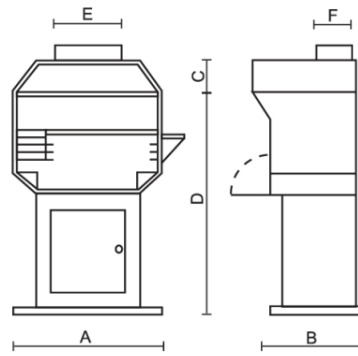
SUPER SPIT DE LUX (Built-in Braai)



MODEL	A	B	C	D	E	F
1200	1200	540	860	275	500	350
1500	1500	640	937	390	600	400

Apart from the 3 braai grits, ash pan, oven pan, ember maker with shaker, ember tray, poker tool, potjie hook, 2 doors and light fitting the Super Spit De Lux is equipped with an imported Italian heavy duty 220V spit motor, which enables you to spit braai almost anything from chicken to a entire lamb. In addition to the lamb shaft, the unit is also supplied with a roasting basket which can be utilised to roast up to 7 chickens or as a lazy grid. The touch up paint and insulation material are also included with every purchase.

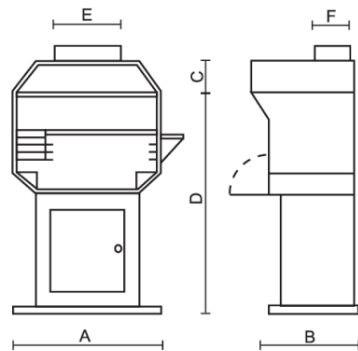
OCTO DE LUX (Freestanding Braai)



MODEL	A	B	C	D	E	F
800	800	450	200	1500	300	200
1000	1000	550	200	1500	440	240

The Octo De Lux is a free-standing braai ideally suited for the use on a patio. Features include the following: 1,8m chimney, rotating cowl, trim ring, ember tray, galvanised grid, folding table, storage space and utility shelf and an ember maker on the 1000mm model.

OCTO SUPER DE LUX (Freestanding Braai)



MODEL	A	B	C	D	E	F
800	800	450	200	1500	300	200
1000	1000	550	200	1500	440	240

In addition to the above, a 5 burner gas grill is fitted to the Octo Super De Lux which enables you to conveniently use either gas or coal. It is also supplied with a low-pressure bull nose regulator and pipe.

MOBILE GAS GRILL & WOOD BRAAI



Mobile Wood Braai includes Ember tray, ember maker, ash pan, grid, potjie hook and poker tool.

Mobile Gas grills are available in the following sizes:

- 3 Burner Mobile
- 5 Burner Mobile
- 7 Burner Mobile

GAS GRILLS



Basic Gas Grill



Explorer Gas Grill



Stainless Steel Gas Grill

About Our Braais

Heatwave specialises in the manufacturing, supplying and installing of South Africa's finest braais. South Africa's fascination with the braai and braai-culture means that our clients expect only the best braai models; braais that are durable, easy-to-use, easy-to-maintain and easy on the eye. Our models of steel and cast-iron braais will leave a smile on the face of any braai enthusiast. Stop worrying about the braai; worry about how best to braai that chop and wors!

Why choose a Heatwave Braai?

- Because, in South Africa, there is no other pastime more important than the iconic braai.
- The braai is the centrepiece around which family and friends gather to honour Africa and her skies, day and night.
- Our braais are beautifully made, providing the braai-master an attractive and interactive platform on which to create your next meal.
- The Heatwave braai is economical. Locally manufactured braais are designed specifically for the South African customer, ensuring the highest quality reasonably priced.
- Heatwave braais are easily cleaned, and they're easy to maintain. Not only do we install certain units for our customers, but we also offer after-sales parts and services.